

ADP-44WRP**Constant Current Source for LED drive**

30~50V/1.0A

**Features**

- AC 100-242V wide input voltage range
- Constant current output (0.8~1.2A)
- 30~50V constant current operational range
- Little flicker (R/R = 50% typ), Flicker free available
- PFC correction, PF>0.9
- Low input current THD (Meet IEC61000-3-2 Class C)
- Protections for Short circuit, Over load and Over temp.
- Encapsulated, Compact size, IP65 available
- Long life time over 40.000 Hr
- High efficiency
- RoHS
- KC, KS-Korea, PSE

Applications

- LED Lighting
- Advertising Light panel
- Down Light

Electrical characteristics

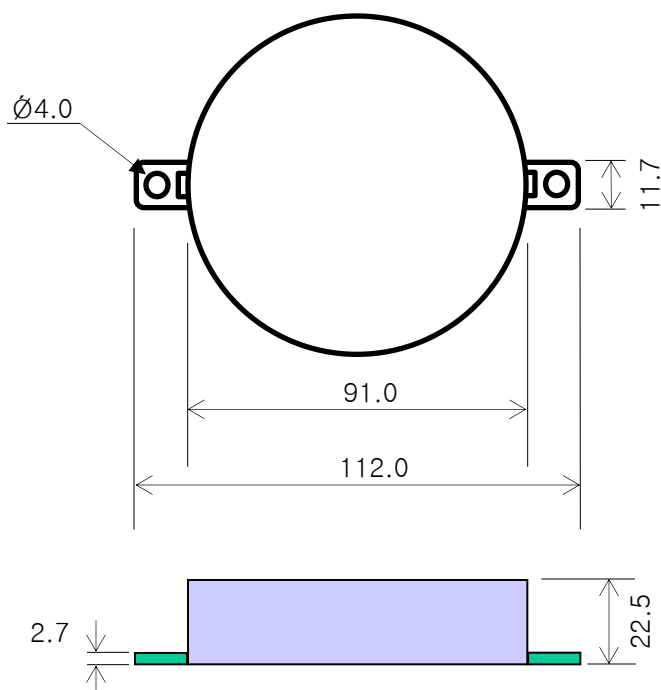
Parameter	Symbol	Conditions	Specification			Unit
			Min	Typ	Max	
Input supply voltage	V_{IN}		90	220	242	V_{AC}
Input current	I_{IN}	$V_{IN}=220V, 50W$	0.22	0.24	0.26	A
Available power input range	P_{IN}	$V_{IN}=100\sim 242V$			50	W
Power factor	$\cos\theta$	$V_{IN}=220V, 50W$		0.96		
Output current	I_O	$V_{IN}=100\sim 242V$		1.0		A
Available output voltage	V_O	$V_{IN}=100\sim 242V$	30		50	V
No load output voltage	V_{O-open}	$V_{IN}=100\sim 242V$		57	60	V
Efficiency		$V_{IN}=220V, 50W$		88		%

Absolute maximum ratings

Lower Input supply voltage (V_{IN})	-----	90V
Higher Input supply voltage (V_{IN})	-----	264V
Maximum output voltage with load	-----	52V
Minimum output voltage with load	-----	28V
Output current (I_o)	-----	1.2A
Input power	-----	50W
Ambient operating temperature	-----	-20 °C to 50 °C
Storage temperature range	-----	-30 °C to 80 °C
Operating & storage humidity	-----	10 % to 85 %

Input & Output Wire or terminals

AC Input	:	White & Black, 0.75mm ² HVSF, JET/PSE/KS, 180mm Length
DC Output	:	DC+ : Red, AWG-22, 230mm Length
		DC- : Black, AWG-22, 230mm Length

Mechanical dimensions

Tolerance : ± 0.5
Unit : mm