

**ADP-44WRP****Constant Current Source for LED drive**Features

- AC 100-242V wide input voltage range
- Constant current output
- 30~46V constant current operational range
- PFC correction, PF>0.9
- Low input current THD (Meet IEC61000-3-2 Class C)
- Protections for Short circuit, Over load and Over temp.
- Encapsulated, Compact size, IP65 available
- Long life time over 40.000 Hr
- High efficiency
- RoHS compatible
- KC, KS-Korea, PSE

Applications

- LED Lighting
- Advertising Light panel
- Down Light

Electrical characteristics

Parameter	Symbol	Conditions	Specification			Unit
			Min	Typ	Max	
Input supply voltage	$V_{IN}$		90	220	242	$V_{AC}$
Input current	$I_{IN}$	$V_{IN}=220V, 50W$	0.22	0.24	0.26	A
Available power input range	$P_{IN}$	$V_{IN}=100\sim 242V$			50	W
Power factor	$\cos\theta$	$V_{IN}=220V, 50W$		0.95		
Available output current	$I_O$	$V_{IN}=100\sim 242V$		1000	1200	mA
Available output voltage	$V_O$	$V_{IN}=100\sim 242V$	30		46	V
No load output voltage	$V_{O-open}$	$V_{IN}=100\sim 242V$		50	60	V
Efficiency		$V_{IN}=220V, 50W$		87		%

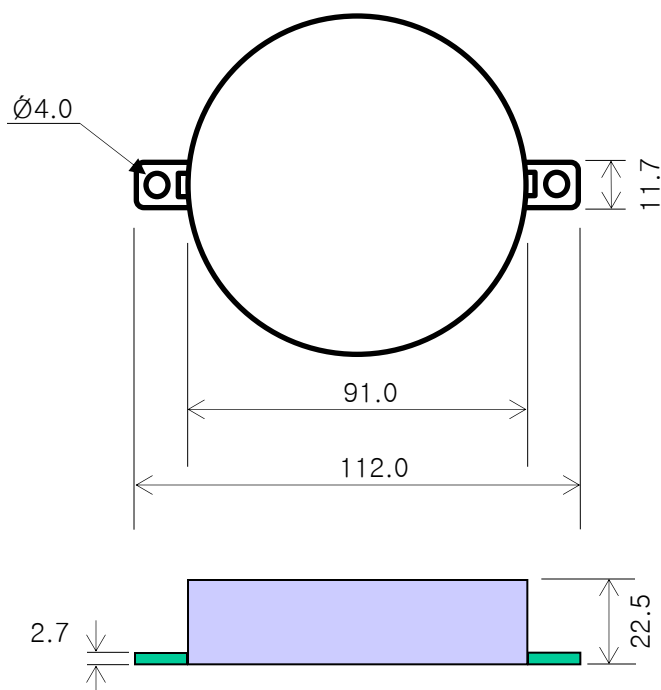
## Absolute maximum ratings

Lower Input supply voltage ( $V_{IN}$ )	-----	90V
Higher Input supply voltage ( $V_{IN}$ )	-----	265V
Maximum output voltage with load	-----	48V
Minimum output voltage with load	-----	30V
Output current ( $I_o$ )	-----	1200mA
Input power	-----	50W
Ambient operating temperature	-----	-10 °C to 50 °C
Storage temperature range	-----	-20 °C to 80 °C
Operating & storage humidity	-----	10 % to 85 %

## Input & Output Wire or terminals

- AC Input : White & Black, 0.75mm<sup>2</sup> HVSF, JET/PSE/KS, 180mm Length  
DC Output : DC+ : Red, AWG-22, 230mm Length  
DC- : Black, AWG-22, 230mm Length

## Mechanical dimensions



Tolerance :  $\pm 0.5$   
Unit : mm